



MAC Pulse Valve PV09 Series



PV09 Series

The MAC Pulse Valve Series is designed to surpass the performance and reliability of existing pulse valve technology. The MAC solution utilizes a long life, bonded-spool design, instead of the traditional diaphragm style. MAC also uses a balanced pilot valve that isolates the solenoid from airline contamination. Available with integral solenoid pilot as well as bleed pilot configurations.

Direct Drop-in

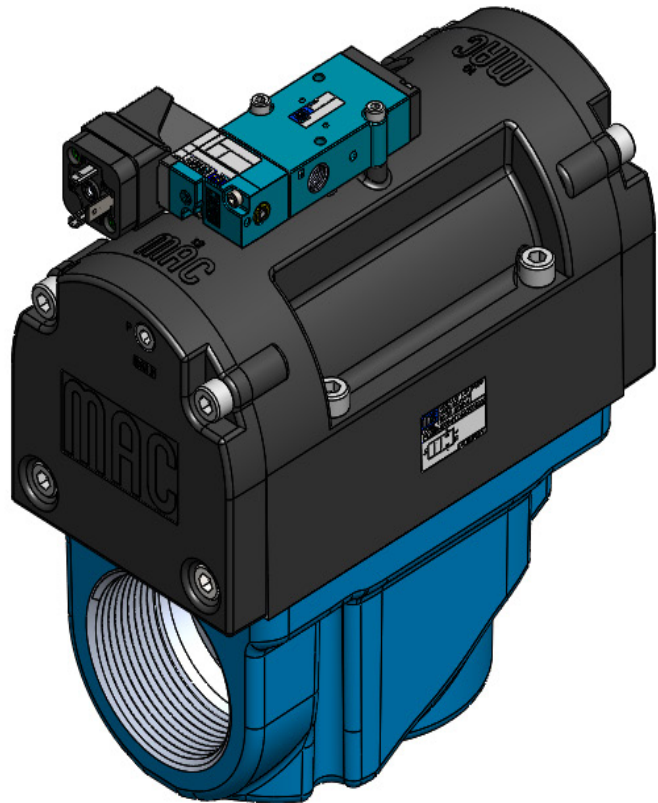
The MAC Pulse Valve can conveniently be installed in virtually any application. A traditional 90° base or optional adapter plate allows the MAC valve to directly replace diaphragm technology with our bonded spool technology without disturbing existing plumbing. You can even use existing remote solenoids or our integral solenoid pilot for the ultimate performance and reliability.

Harsh Environment Compatible

An aluminum die-cast body, Viton® seals and an environmentally protected solenoid are standard features. These materials allow for a wide standard temperature rating and high degree of chemical resistance.

Maintenance

The MAC bonded spool pulse valves delivers lower cost of ownership through reduction in downtime and lower air consumption. When necessary, maintenance is simplified with available spool kits.



Repair Kits

Kit

Viton® K-PV003-05

Product Characteristics and Performance

Flow	Temp Range Viton	Pressure Range
100 Cv	-20°F - 230°F -29°C - 110°C	30 - 120 PSI 2.07 - 8.27 bar

MAC Pulse Valve PV09 Series



Integral Pilot **PV09B - XXX - 41P - DXXX - XXX = XXXX**

Remote Bleed **PV09B - XXX - 41P - RBXX = XXXX**

Modifications (see below)

Spool Type	Base Port Size & Thread Type	Int / Ext Pilot	Pilot Type	Remote Bleed
0 Base Only	0 Basic Valve No Base	0 Base Only	Integral	11 NPTF threads
A N.C. Main W/Memory Spring Viton® Seals Thru-out	A 2" NPTF MAC Base	A Internal Pilot	P Piped Exh.	14 BSPPL threads
	B 2 1/2" NPTF MAC Base	B Ext. Pilot NPTF threads		15 BSPTR threads
	C 2" BSPPL MAC Base	C Ext. Pilot BSPPL threads		
	D 2 1/2" BSPPL MAC Base	D Ext. Pilot BSPTR threads		
	E 2" BSPTR MAC Base	E Int. Pilot BSPPL threads		
	F 2 1/2" BSPTR MAC Base	F Int. Pilot BSPTR threads		

Solenoid Valve Options

- DXXX - XXX

Voltage	Lead Wire Length	Manual Operator	Electrical Connector
JA 120/60, 110/50	A 18"	1 Non Locking	BA Grommet
JB 240/60, 220/50	B 24"		BK Grommet w/Diode
JD 100/60, 100/50, 110/60	C 36"		CM Metal Conduit 1/2"
DA 24VDC (5.4W)	D 48"		CN Metal Conduit w/Ground 1/2"
EW 24VDC (8.0W)	E 72"		JA Square Plug-in
DB 12VDC (5.4W)	F 96"		JB Rectangular Plug-in
DC 12VDC (7.5W)	J External Plug-In Lead		JC Square Plug-in w/Light
			JD Rectangular Plug-in w/Light
			JJ Square Male Only
			JM Rectangular Male Only
			KA Mini Plug-in
			KB Mini Plug-in w/Diode
			KD Mini Plug-in w/Light
			KE Mini Plug-in w/Light & Diode
			KC Mini Plug-in w/LED & Diode
			KJ Mini Plug-in Male Only
			KK Mini Plug-in Male Only w/Diode

Pilot Only Options - Bodies and Assemblies

Note: Revisions A and B are currently available and identified by 4th character in PN. **Be sure to order the same revision you are replacing**

41HA-00A-HX-DXXV-YZZ=XXXX (solenoid operated pilot valve)

See options above and modifications below

41HB-00A-HX-DXXV-YZZ=XXXX (solenoid operated pilot valve)

See options above and modifications below

41HA-00A-H0-RBXX=XXXX (bleed pilot valve)

See options above and modifications below

41HB-00A-H0-RBXX=XXXX (bleed pilot valve)

See options above and modifications below

Modifications - One Selection Required

PVVT Viton Seals, NPTF threads on pilot

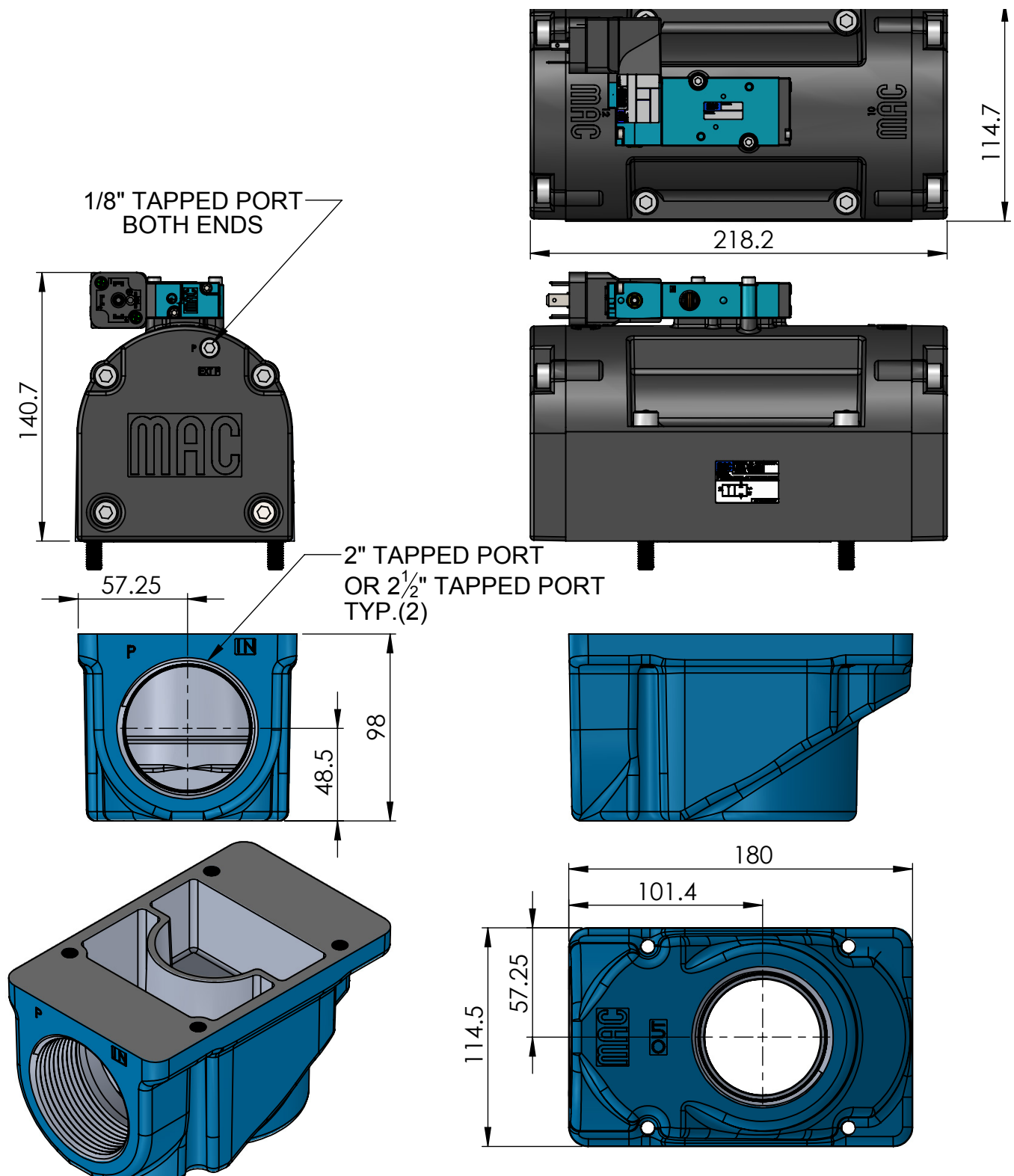
EVVT Viton Seals, BSPPL threads on pilot

PVTR Viton Seals, BSPTR threads on pilot

Spool Kits

K-PV003-05 Viton (includes seals and spring)

MAC Pulse Valve PV09 Series



MAC 2" & 2.5" BASE